



"The best high voltage design solution"

SP7276, Prop. 1.5W, SPECIFICATION SHEET

Customer Approval

Name _____
Signature _____
Date (MM/DD/YYYY) _____

Standard Model Number : SP7276

RoHs Model Number : SP7276/Y

Customer Signature Required

ELECTRICAL SPECIFICATIONS

Standard Model is NOT RoHs Compliant

Input Voltage 0 to 5Vdc	Start-up Voltage < 0.7Vdc
No Load Input current < 300mA	Output Ripple < 0.7% P-P
Full Load Input current < 550mA	Input Filter Low ESR Capacitor
Output Voltage 0 to + or -500Vdc	Efficiency > 50%
Output Current 3 mA	Short Circuit Protection Continuous
Voltage Accuracy +/- 5%	Switching Frequency 150 kHz
Line Regulation Proportional	Output Isolation 1kVdc
Load Regulation +/- 10%	Input / Output Capacitance < 30pF

GENERAL SPECIFICATIONS

Temp. Stability +/- 0.05%/°C	Derating None
Temp. (Operating , Case) -40 to +85°C	Cooling Free-Air Convection
Temp. (Storage) -45 to +100°C	
Humidity 0 to 95% (Non-Condensing)	

PHYSICAL SPECIFICATIONS

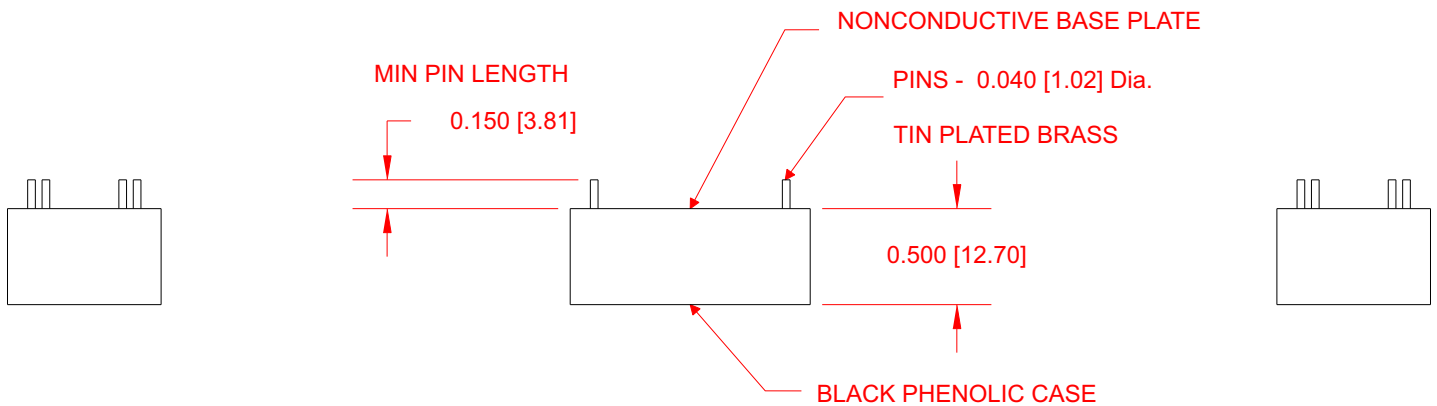
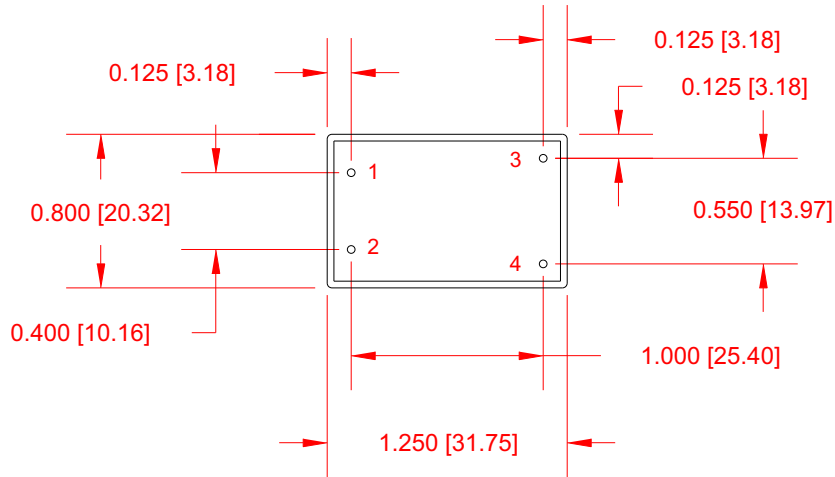
Dimensions 0.8 x 1.25 x 0.52 inches	Case Material Black Phenolic
Weight 0.8 Oz	





"The best high voltage design solution"

SP7276, Prop. 1.5W, SPECIFICATION SHEET



PIN #	FUNCTION
1	+ Input
2	- Input
3	+Output
4	Output

*Dimensions are in Inches
 [Metric equivalents in brackets]*



"The best high voltage design solution"

SP7276, Prop. 1.5W, SPECIFICATION SHEET

APPLICATION NOTES

Output Voltage vs Input Voltage

The output voltage is directly proportional to the input voltage and is linear from approximately 0.7Vdc to 5Vdc Input voltage.

NUCLEAR AND MEDICAL APPLICATIONS

American Power Design products are not designed, intended for use in, or authorized for use as critical components in life support systems, equipment used in hazardous environments, or nuclear control systems without the express written consent of American Power Design, Inc.

CLEANING AGENTS

In order to avoid possible damage, any penetration of cleaning fluids must be prevented, since the power supplies are not hermetically sealed.

SAFETY REQUIREMENTS

The converters are designed to meet North American and International safety regulatory requirements per UL 60950-1/CSA 22.2 No. 60950-1-07 Second Edition, IEC 60950-1:2005, and EN 60950-1:2006. Basic Insulation is provided between input and output. To comply with safety agencies requirements, an input line fuse (3A SB) must be used external to the converter.

If one input fuse is used for a group of modules, the maximum fuse rating should not exceed 20A.

WARRANTY

All products manufactured by American Power Design, Inc. (APD) are warranted to be free of defects due to material or workmanship for a period of one year from date of shipment. At our option, APD will repair or replace any non-conforming product.

APD expressly disclaims any liability for consequential or incidental damages resulting from the use or misuse of its products by the purchaser or others.

This warranty is in lieu of all warranties expressed or implied, including the warranties of merchantability. No other warranties, obligations, or liabilities are expressed or implied.

All products being returned for repair require a return material authorization(RMA) assigned by APD prior to return shipment.