



"The best high voltage design solution"

SP7253, 1W, +500V SPECIFICATION SHEET



Standard Model Number : SP7253

RoHS Model Number : SP7253/Y

ELECTRICAL SPECIFICATIONS

Standard Model is NOT RoHS Compliant

Input Voltage	11.5V - 16Vdc	Onboard Precision Reference	5Vdc @ 1mA
Input Current	<100mA (No Load)	Programming Linearity	<1% (5% to 100% Vout)
Input Current	<220mA (Full Load)	Input Filter	Low ESR Capacitor
Output Voltage	0V to +500Vdc (Programmable)	Reverse Input Protection	50Vdc
Output Current	2 mA	Short Circuit Protection	Continuous
Voltage Accuracy	+/- 1%	Switching Frequency	200 kHz
Line Regulation	< 0.01%	Calibration Adjustment	>1%
Load Regulation	< 0.01%	Response Time	<250 ms (Full Load, full scale response)
Output Ripple	< 0.01% P-P	Programming Voltage Shutdown	> 5.2Vdc
Programming Voltage	0 to +5Vdc	Output Voltage Monitor	0V to +5V = 0 to +500Vdc
Programming Current	< 100uA	Output Current Monitor	0V to +5V = 0 to 2mA
		Monitor Accuracy	<0.5% (20% to 100%)

GENERAL SPECIFICATIONS

Stability	< 0.01% / Hr.	Humidity	0 to 95% (Non-Condensing)
Temp. Stability	+/- 0.01%/°C	Thermal Shutdown	>85°C (Case)
Temp. (Operating , Case)	-25 to +85°C	Thermal Shock Limit	1°C / 10 Seconds
Temp. (Storage)	-40 to +125°C	EMI/RFI	Six-Sided Shield
		Derating	None
		Cooling	Free-Air Convection

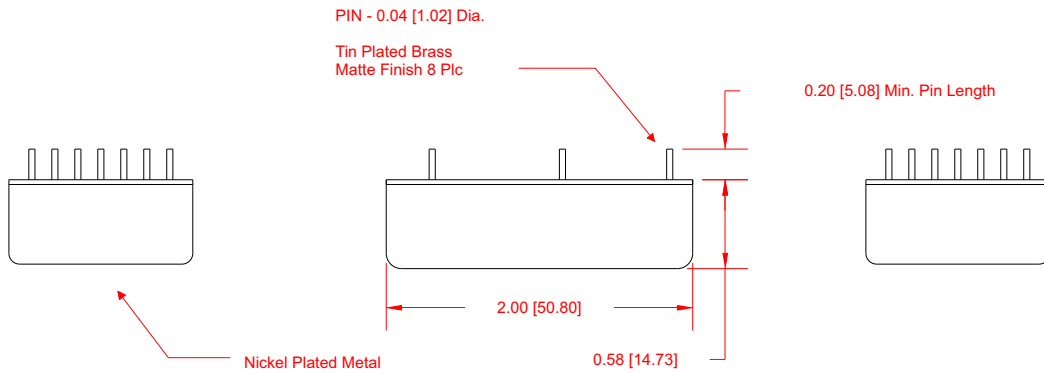
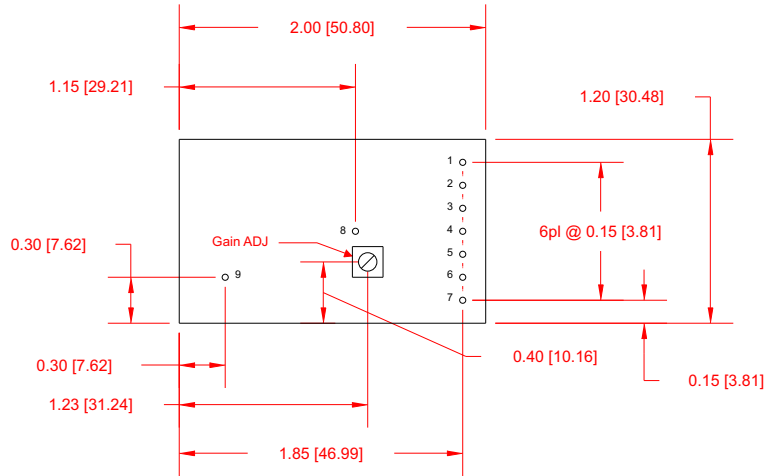
PHYSICAL SPECIFICATIONS

Dimensions	1.2 x 2.0 x 0.85 inches	Encapsulation Material	UL 94V-0 Epoxy
Weight	2.3 Oz	Case Material	Nickle Plated Metal
			<i>(With Non-conductive Base Plate)</i>



"The best high voltage design solution"

SP7253, 1W, +500V SPECIFICATION SHEET



PIN #	FUNCTION
1	+ Input
2	Reference Voltage
3	Control / Programming Voltage
4	Case / Gnd
5	- Input
6	Output Current Monitor
7	Output Voltage Monitor
8	HV Return
9	HV Output

*Dimensions are in Inches
[Metric equivalents in brackets]*



"The best high voltage design solution"

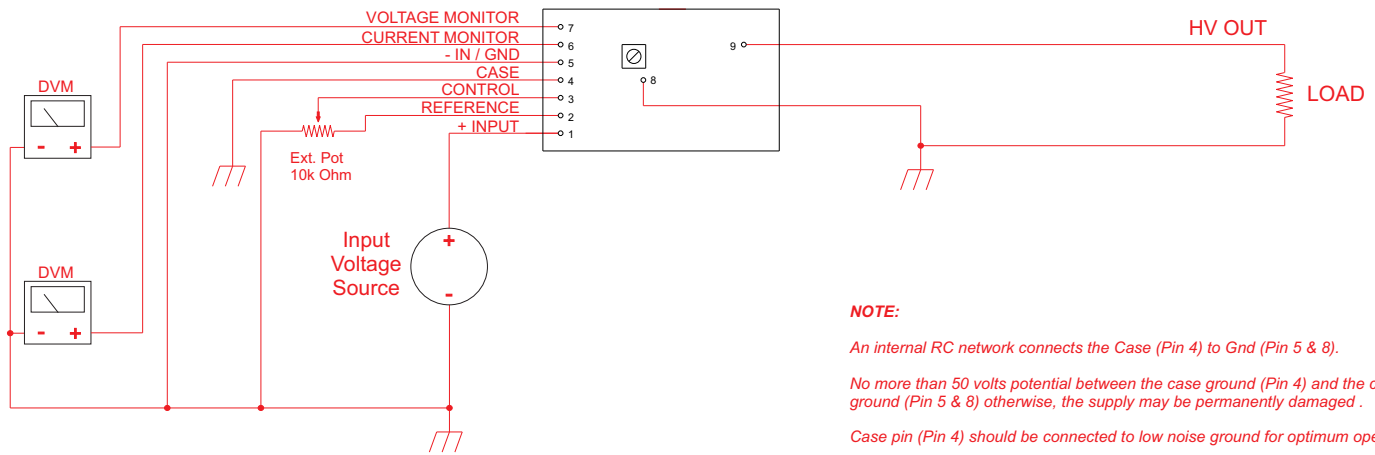
SP7253, 1W, +500V SPECIFICATION SHEET

APPLICATION NOTES

EXTERNAL / REMOTE POTENTIOMETER

The output voltage of the SP7253 can be controlled with an external or remote potentiometer .

Figures below shows the typical connections needed.



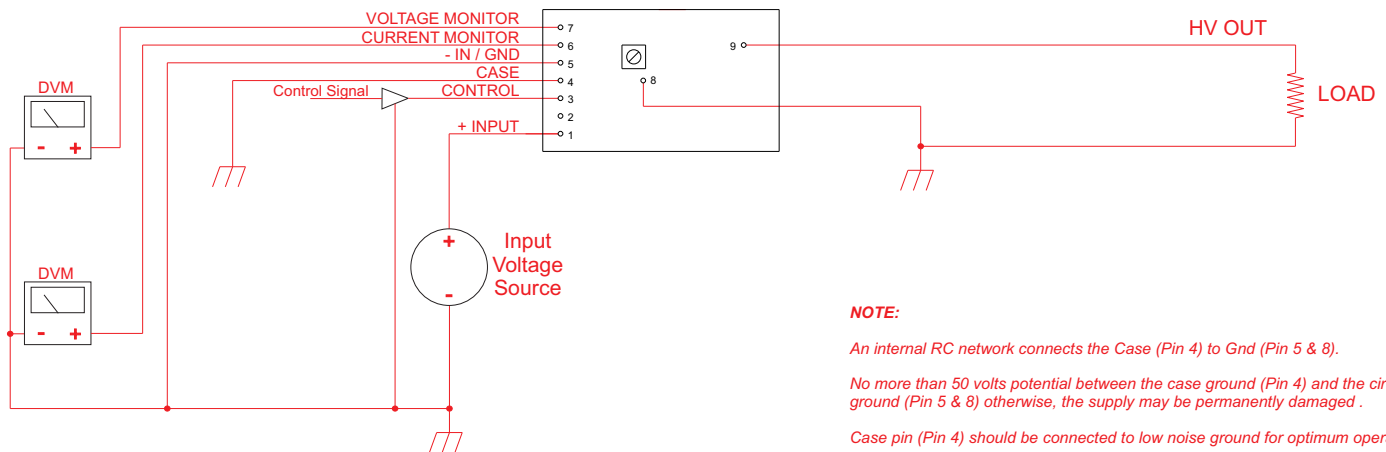
NOTE:

- An internal RC network connects the Case (Pin 4) to Gnd (Pin 5 & 8).*
- No more than 50 volts potential between the case ground (Pin 4) and the circuit ground (Pin 5 & 8) otherwise, the supply may be permanently damaged .*
- Case pin (Pin 4) should be connected to low noise ground for optimum operation.*
- IN (Pin 5) & HV Return (Pin 8) are internally connected.*

EXTERNAL / REMOTE VOLTAGE SOURCE

The output voltage of the SP7253 can be controlled with an external or remote voltage source .

Figures below shows the typical connections needed.



NOTE:

- An internal RC network connects the Case (Pin 4) to Gnd (Pin 5 & 8).*
- No more than 50 volts potential between the case ground (Pin 4) and the circuit ground (Pin 5 & 8) otherwise, the supply may be permanently damaged .*
- Case pin (Pin 4) should be connected to low noise ground for optimum operation.*
- IN (Pin 5) & HV Return (Pin 8) are internally connected.*



"The best high voltage design solution"

SP7253, 1W, +500V SPECIFICATION SHEET

APPLICATION NOTES

CLEANING AGENTS

In order to avoid possible damage, any penetration of cleaning fluids must be prevented, since the power supplies are not hermetically sealed.

NUCLEAR AND MEDICAL APPLICATIONS

American Power Design products are not designed, intended for use in, or authorized for use as critical components in life support systems, equipment used in hazardous environments, or nuclear control systems without the express written consent of American Power Design, Inc.

SAFETY REQUIREMENTS

The converters are designed to meet North American and International safety regulatory requirements per UL 60950-1/CSA 22.2 No. 60950-1-07 Second Edition, IEC 60950-1:2005, and EN 60950-1:2006. Basic Insulation is provided between input and output. To comply with safety agencies requirements, an input line fuse (1A SB) must be used external to the converter.

If one input fuse is used for a group of modules, the maximum fuse rating should not exceed 20A.

WARRANTY

All products manufactured by American Power Design, Inc. (APD) are warranted to be free of defects due to material or workmanship for a period of one year from date of shipment. At our option, APD will repair or replace any non-conforming product.

APD expressly disclaims any liability for consequential or incidental damages resulting from the use or misuse of its products by the purchaser or others.

This warranty is in lieu of all warranties expressed or implied, including the warranties of merchantability. No other warranties, obligations, or liabilities are expressed or implied.

All products being returned for repair require a return material authorization(RMA) assigned by APD prior to return shipment.