



SP7206, 3W, Proportional, SPECIFICATION SHEET



Standard Model Number : SP7206

RoHs Model Number : SP7206/Y

ELECTRICAL SPECIFICATIONS

Standard Model is NOT RoHs Compliant

Input Voltage 0V to 15Vdc
 Output Voltage 0V to + or -7kVdc
 Output Current 0.43mA
 Voltage Accuracy +/- 10%
 Line Regulation Proportional
 Load Regulation +/- 10%
 Output Ripple < 1% P-P
 Start-up Voltage < 0.7Vdc

Input Filter Low ESR Capacitor
 No Load Input current < 175mA
 Full Load Input current < 350mA
 Short Circuit Protection Continuous
 Switching Frequency 60 kHz
 Output Isolation 7,500 Vdc
 Input / Output Capacitance < 60pF

GENERAL SPECIFICATIONS

Temp. Stability +/- 0.02%/°C
 Temp. (Operating , Case) -25 to +85°C
 Temp. (Storage) -55 to +100°C

Derating None
 Cooling Free-Air Convection

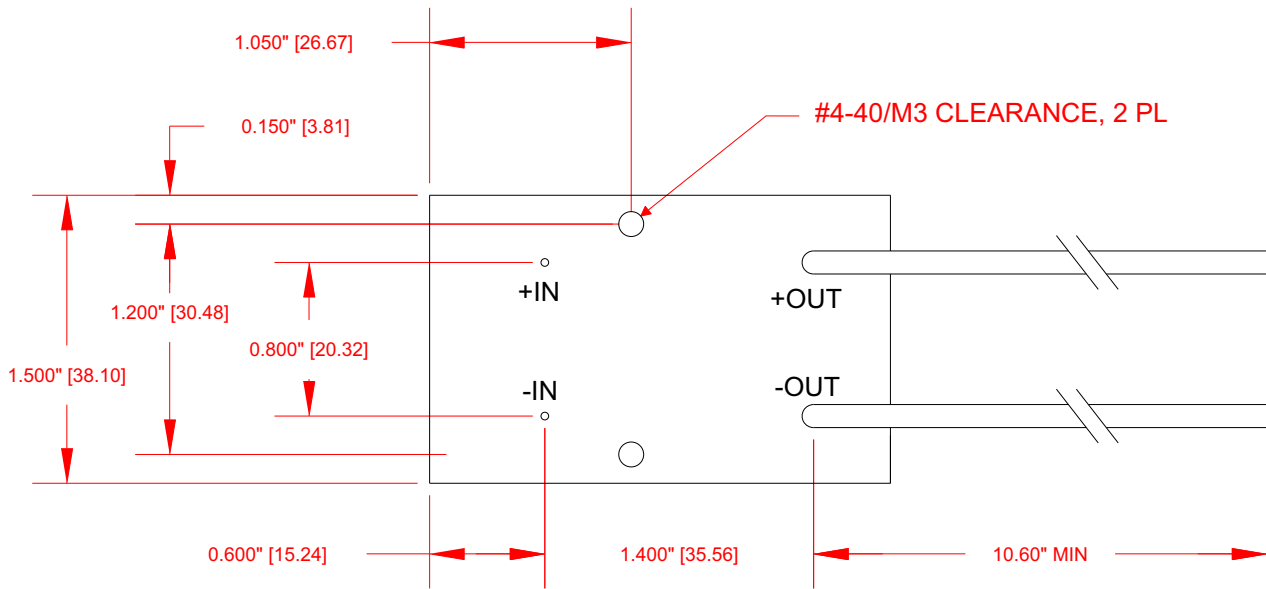
PHYSICAL SPECIFICATIONS

Dimensions 1.5 x 2.4 x 0.81 inches
 Weight 3.1 Oz

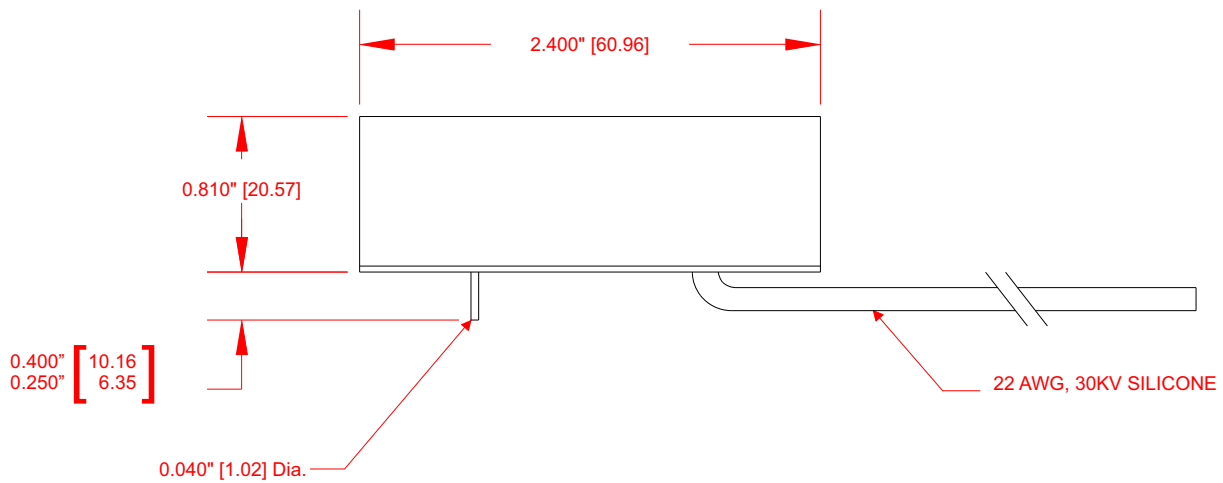
Case Material Black Phenolic



SP7206 SPECIFICATION SHEET



Bottom View





SP7206 SPECIFICATION SHEET

APPLICATION NOTES

CLEANING AGENTS

In order to avoid possible damage, any penetration of cleaning fluids must be prevented, since the power supplies are not hermetically sealed.

NUCLEAR AND MEDICAL APPLICATIONS

American Power Design products are not designed, intended for use in, or authorized for use as critical components in life support systems, equipment used in hazardous environments, or nuclear control systems without the express written consent of American Power Design, Inc.

SAFETY REQUIREMENTS

The converters are designed to meet North American and International safety regulatory requirements per UL 60950-1/CSA 22.2 No. 60950-1-07 Second Edition, IEC 60950-1:2005, and EN 60950-1:2006. Basic Insulation is provided between input and output. To comply with safety agencies requirements, an input line fuse (3A SB) must be used external to the converter.

If one input fuse is used for a group of modules, the maximum fuse rating should not exceed 20A.

WARRANTY

All products manufactured by American Power Design, Inc. (APD) are warranted to be free of defects due to material or workmanship for a period of one year from date of shipment. At our option, APD will repair or replace any non-conforming product.

APD expressly disclaims any liability for consequential or incidental damages resulting from the use or misuse of its products by the purchaser or others.

This warranty is in lieu of all warranties expressed or implied, including the warranties of merchantability. No other warranties, obligations, or liabilities are expressed or implied.

All products being returned for repair require a return material authorization(RMA) assigned by APD prior to return shipment.