



SP7171 SPECIFICATION SHEET



Standard Model Number : SP7171

RoHS Model Number : SP7171/Y

Standard Model is NOT RoHS Compliant

ELECTRICAL SPECIFICATIONS

Input Voltage	0-12Vdc	Input Filter	PI Network
Output Voltage	10kVdc	Short Circuit Protection	Continuous
Output Current	1mA	Switching Frequency	60 kHz
Voltage Accuracy	+/- 10%	Output Isolation	6000 Vdc
Line Regulation	Proportional	Input / Output Capacitance	< 60pF
Load Regulation	+/- 10%		
Output Ripple	< 0.3% P-P		
Start-up Voltage	< 0.7Vdc		

GENERAL SPECIFICATIONS

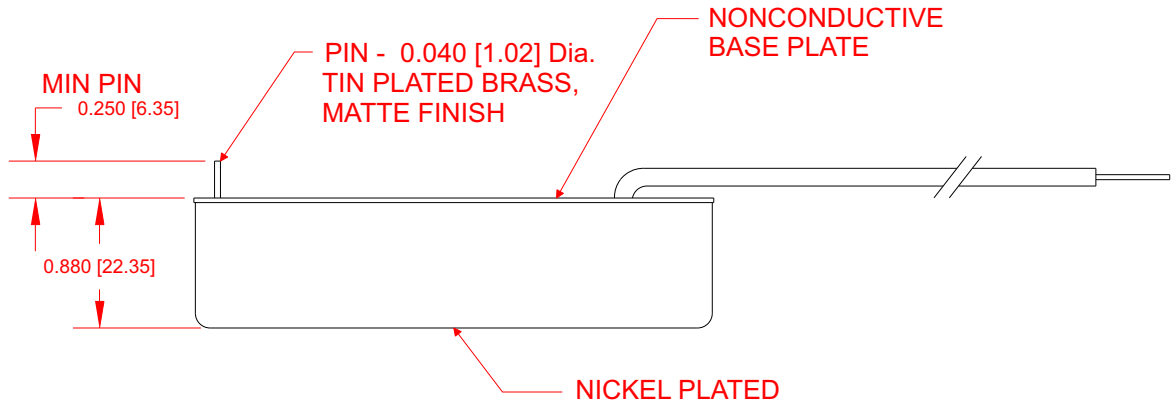
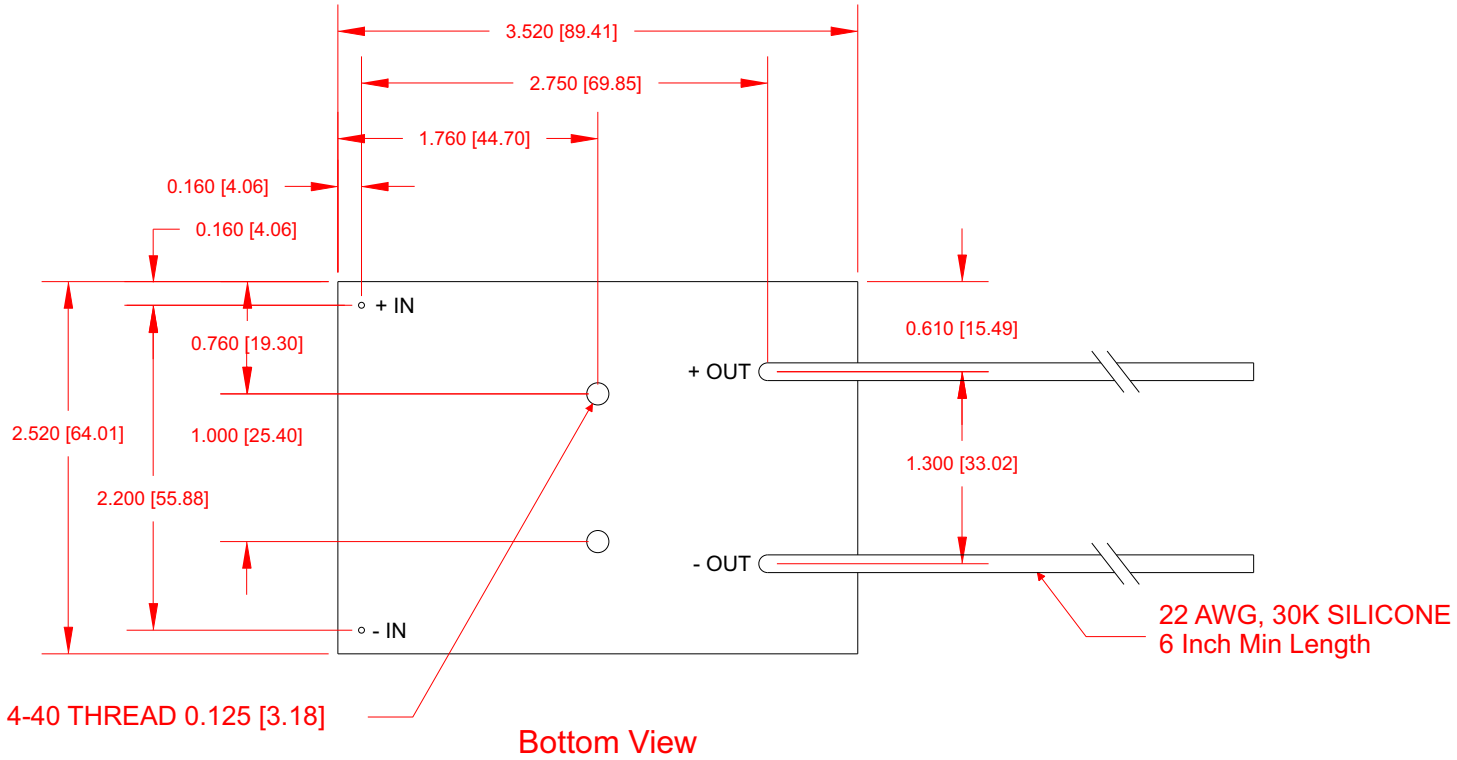
Temp. Stability	+/- 0.02%/°C	EMI/RFI	Six-Sided Shield
Temp. (Operating , Case)	-25 to +85°C	Derating	None
Temp. (Storage)	-55 to +100°C	Cooling	Free-Air Convection

PHYSICAL SPECIFICATIONS

Dimensions	2.5 x 3.5 x 0.88 inches	Case Material	Nickel Plated Metal
Weight	9.5 Oz		(With Non-Conductive Base Plate)



SP7171 SPECIFICATION SHEET





SP7171 SPECIFICATION SHEET

APPLICATION NOTES

CLEANING AGENTS

In order to avoid possible damage, any penetration of cleaning fluids must be prevented, since the power supplies are not hermetically sealed.

NUCLEAR AND MEDICAL APPLICATIONS

American Power Design products are not designed, intended for use in, or authorized for use as critical components in life support systems, equipment used in hazardous environments, or nuclear control systems without the express written consent of American Power Design, Inc.

SAFETY REQUIREMENTS

The converters are designed to meet North American and International safety regulatory requirements per UL 60950-1/CSA 22.2 No. 60950-1-07 Second Edition, IEC 60950-1:2005, and EN 60950-1:2006. Basic Insulation is provided between input and output. To comply with safety agencies requirements, an input line fuse (10A SB) must be used external to the converter.

If one input fuse is used for a group of modules, the maximum fuse rating should not exceed 20A.

WARRANTY

All products manufactured by American Power Design, Inc. (APD) are warranted to be free of defects due to material or workmanship for a period of one year from date of shipment. At our option, APD will repair or replace any non-conforming product.

APD expressly disclaims any liability for consequential or incidental damages resulting from the use or misuse of its products by the purchaser or others.

This warranty is in lieu of all warranties expressed or implied, including the warranties of merchantability. No other warranties, obligations, or liabilities are expressed or implied.

All products being returned for repair require a return material authorization(RMA) assigned by APD prior to return shipment.



European Stocking Distributor

Phone: +41 44 730 33 53

Email: sales@hvps-condatas.com / www.hvps-condatas.com

Rietbachstrasse 7, 8952 Schlieren (ZH), Switzerland