

"The best high voltage design solution"

# F1 SERIES 1 WATT PROGRAMABLE REGULATED HV DC/DC CONVERTERS



- ▶ Fully Regulated Outputs to + or - 2000 Vdc
- ▶ 0-100% Programmable Output
- ▶ High Stability (<25ppm/°C)
- ▶ Onboard Precision Reference
- ▶ Output Voltage Monitor
- ▶ Low Output Noise & EMI/RFI
- ▶ External Calibration Adjustment
- ▶ Continuous Short Circuit Protection
- ▶ IEC/UL/CSA/EN 62368 & CE Certified

The F1 Series miniature regulated high voltage DC/DC converter offers a 100% programmable high voltage output. Output voltage monitor and onboard precision reference are standard. All models will tolerate a short circuit indefinitely.

## ELECTRICAL SPECIFICATIONS

Input Voltage Range .....	4.75V to 5.25Vdc / 11.5V to 15.5Vdc	Input Filter .....	Low ESR Capacitor
Output Voltage Accuracy .....	< 1%	Reverse Input Protection .....	50Vdc
Line Regulation .....	<0.01%	Short Circuit Protection .....	Continuous
Load Regulation .....	<0.05%	Switching Frequency .....	180 - 250 kHz
Output Ripple .....	<0.001% P-P	Calibration Adjustment .....	>1%
Onboard Precision Reference .....	2.048Vdc / 5Vdc @ 1mA	Programming Voltage Shutdown .....	>104%
Programming Voltage .....	0 to 2.048Vdc / 0 to 5Vdc @ <100uA	Output Voltage Monitor .....	0 to 2.048V / 0 to 5V = 0 to 100%
		Programming Linearity (5% to 100% Vout) .....	<0.5%

## GENERAL SPECIFICATIONS

Stability .....	< 50ppm / Hr.	Thermal Shock Limit .....	1°C / 10 Seconds
Temp. Stability .....	< 25ppm/°C	EMI/RFI .....	Six Sided Shield
Temp. (Operating, Case) .....	-55 to +85°C	Derating .....	None
Temp. (Storage) .....	-55 to +95°C	Cooling .....	Free-Air Convection
Humidity .....	0 to 95% (Non-Condensing)	Certifications .....	IEC/UL/CSA/EN 62368 & CE

## PHYSICAL SPECIFICATIONS

Dimensions & Weight .....	1.1 x 1.75 x 0.5 inches @ 1.3 Oz	Case Material .....	Nickle Plated Metal
---------------------------	----------------------------------	---------------------	---------------------

(With Non-Conductive Base Plate)

**NOTE:** Specifications are at the maximum rated output after a 30 minute warm-up period unless otherwise specified.



"The best high voltage design solution"

# F1 SERIES 1 WATT PROGRAMABLE REGULATED HV DC/DC CONVERTERS

## 5VDC INPUT MODELS

REPRESENTATIVE MODEL LISTING								
MODEL NUMBER		INPUT CURRENT		OUTPUT SPECIFICATIONS				
Non-RoHs	RoHs	NO LOAD	FULL LOAD	VOLTAGE	RIPPLE	CURRENT	REGULATION	
							LOAD	LINE
F15-P10	F15-P10/Y	<65 mA	<420 mA	0 to +100Vdc	<0.05% (50mV p-p)	0 - 10mA	<0.05%	<0.01%
F15-N10	F15-N10/Y	<65 mA	<420 mA	0 to -100Vdc	<0.05% (50mV p-p)	0 - 10mA	<0.05%	<0.01%
F15-P20	F15-P20/Y	<65 mA	<420 mA	0 to +200Vdc	<0.01% (10mV p-p)	0 - 5mA	<0.01%	<0.01%
F15-N20	F15-N20/Y	<65 mA	<420 mA	0 to -200Vdc	<0.01% (10mV p-p)	0 - 5mA	<0.005%	<0.003%
F15-P30	F15-P30/Y	<65 mA	<420 mA	0 to +300Vdc	<0.01% (30mV p-p)	0 - 3.3mA	<0.005%	<0.003%
F15-N30	F15-N30/Y	<65 mA	<420 mA	0 to -300Vdc	<0.01% (30mV p-p)	0 - 3.3mA	<0.005%	<0.003%
F15-P50	F15-P50/Y	<65 mA	<420 mA	0 to +500Vdc	<0.005% (25mV p-p)	0 - 2mA	<0.003%	<0.002%
F15-N50	F15-N50/Y	<65 mA	<420 mA	0 to -500Vdc	<0.005% (25mV p-p)	0 - 2mA	<0.005%	<0.002%
F15-P60	F15-P60/Y	<65 mA	<420 mA	0 to +600Vdc	<0.005% (30mV p-p)	0 - 1.67mA	<0.005%	<0.002%
F15-N60	F15-N60/Y	<65 mA	<420 mA	0 to -600Vdc	<0.005% (30mV p-p)	0 - 1.67mA	<0.005%	<0.002%
F15-P100	F15-P100/Y	<65 mA	<420 mA	0 to +1000Vdc	<0.001% (10mV p-p)	0 - 1mA	<0.005%	<0.001%
F15-N100	F15-N100/Y	<65 mA	<420 mA	0 to -1000Vdc	<0.001% (10mV p-p)	0 - 1mA	<0.005%	<0.001%
F15-P125	F15-P125/Y	<65 mA	<420 mA	0 to +1250Vdc	<0.001% (12mV p-p)	0 - 0.8mA	<0.005%	<0.001%
F15-N125	F15-N125/Y	<65 mA	<420 mA	0 to -1250Vdc	<0.001% (12mV p-p)	0 - 0.8mA	<0.005%	<0.001%
F15-P150	F15-P150/Y	<155 mA	<550 mA	0 to +1500Vdc	<0.001% (15mV p-p)	0 - 0.67mA	<0.005%	<0.001%
F15-N150	F15-N150/Y	<155 mA	<550 mA	0 to -1500Vdc	<0.001% (15mV p-p)	0 - 0.67mA	<0.005%	<0.001%
F15-P200	F15-P200/Y	<155 mA	<550 mA	0 to +2000Vdc	<0.001% (20mV p-p)	0 - 0.5mA	<0.005%	<0.003%
F15-N200	F15-N200/Y	<155 mA	<550 mA	0 to -2000Vdc	<0.001% (20mV p-p)	0 - 0.5mA	<0.001%	<0.001%

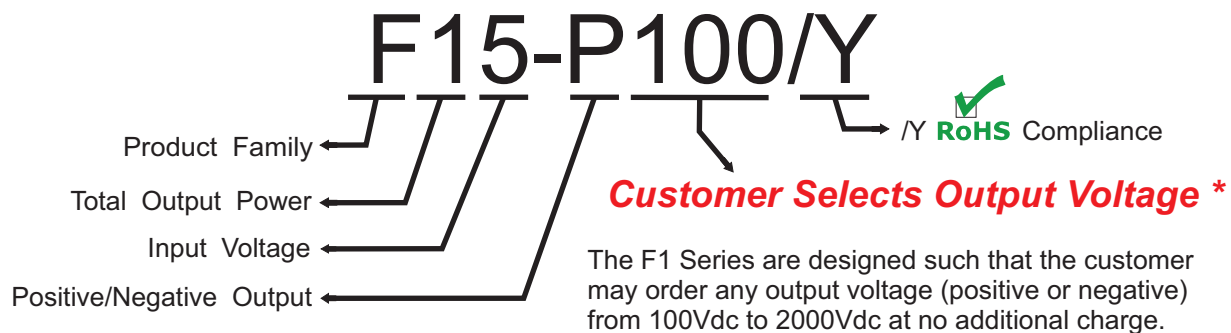


**F1 SERIES 1 WATT PROGRAMABLE REGULATED HV DC/DC CONVERTERS**

**12VDC INPUT MODELS**

**REPRESENTATIVE MODEL LISTING**

MODEL NUMBER		INPUT CURRENT		OUTPUT SPECIFICATIONS				
Non-RoHs	RoHs	NO LOAD	FULL LOAD	VOLTAGE	RIPPLE	CURRENT	REGULATION	
						LOAD		LINE
F112-P10	F112-P10/Y	<80 mA	<220 mA	0 to +100Vdc	<0.05% (50mV p-p)	0 - 10mA	<0.05%	<0.01%
F112-N10	F112-N10/Y	<80 mA	<220 mA	0 to -100Vdc	<0.05% (50mV p-p)	0 - 10mA	<0.05%	<0.01%
F112-P20	F112-P20/Y	<80 mA	<220 mA	0 to +200Vdc	<0.01% (10mV p-p)	0 - 5mA	<0.05%	<0.01%
F112-N20	F112-N20/Y	<80 mA	<220 mA	0 to -200Vdc	<0.01% (10mV p-p)	0 - 5mA	<0.05%	<0.01%
F112-P30	F112-P30/Y	<80 mA	<220 mA	0 to +300Vdc	<0.01% (30mV p-p)	0 - 3.3mA	<0.05%	<0.01%
F112-N30	F112-N30/Y	<80 mA	<220 mA	0 to -300Vdc	<0.01% (30mV p-p)	0 - 3.3mA	<0.05%	<0.01%
F112-P50	F112-P50/Y	<80 mA	<220 mA	0 to +500Vdc	<0.01% (50mV p-p)	0 - 2mA	<0.01%	<0.01%
F112-N50	F112-N50/Y	<80 mA	<220 mA	0 to -500Vdc	<0.01% (50mV p-p)	0 - 2mA	<0.01%	<0.01%
F112-P60	F112-P60/Y	<80 mA	<220 mA	0 to +600Vdc	<0.01% (60mV p-p)	0 - 1.67mA	<0.01%	<0.01%
F112-N60	F112-N60/Y	<80 mA	<220 mA	0 to -600Vdc	<0.01% (60mV p-p)	0 - 1.67mA	<0.01%	<0.01%
F112-P100	F112-P100/Y	<80 mA	<220 mA	0 to +1000Vdc	<0.001% (10mV p-p)	0 - 1mA	<0.005%	<0.001%
F112-N100	F112-N100/Y	<80 mA	<220 mA	0 to -1000Vdc	<0.001% (10mV p-p)	0 - 1mA	<0.005%	<0.001%
F112-P125	F112-P125/Y	<80 mA	<220 mA	0 to +1250Vdc	<0.0005% (6mV p-p)	0 - 0.8mA	<0.005%	<0.001%
F112-N125	F112-N125/Y	<80 mA	<220 mA	0 to -1250Vdc	<0.0005% (6mV p-p)	0 - 0.8mA	<0.005%	<0.001%
F112-P150	F112-P150/Y	<100 mA	<220 mA	0 to +1500Vdc	<0.001% (15mV p-p)	0 - 0.67mA	<0.01%	<0.01%
F112-N150	F112-N150/Y	<100 mA	<220 mA	0 to -1500Vdc	<0.001% (15mV p-p)	0 - 0.67mA	<0.01%	<0.01%
F112-P200	F112-P200/Y	<100 mA	<220 mA	0 to +2000Vdc	<0.001% (20mV p-p)	0 - 0.5mA	<0.01%	<0.01%
F112-N200	F112-N200/Y	<100 mA	<220 mA	0 to -2000Vdc	<0.001% (20mV p-p)	0 - 0.5 mA	<0.01%	<0.01%

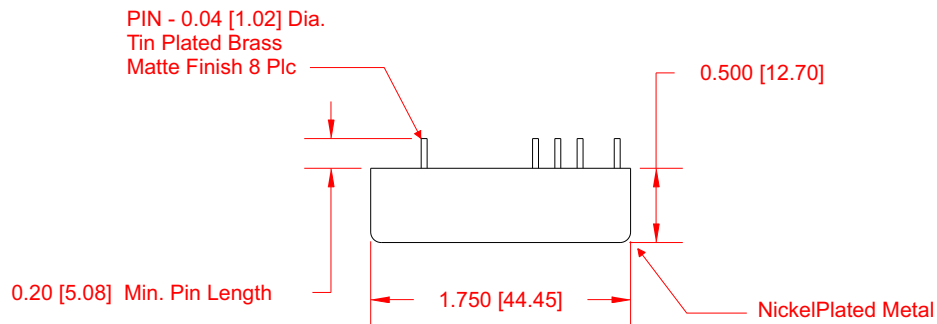
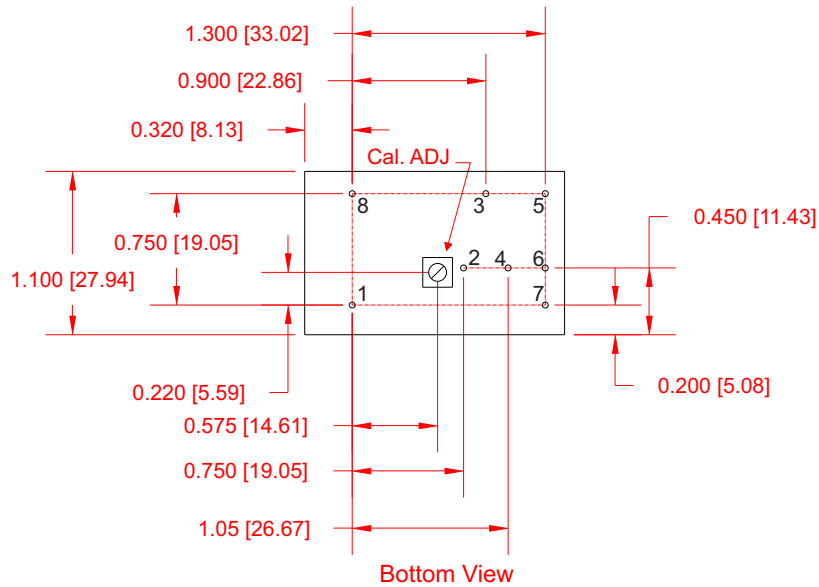


**\*ACTUAL OUTPUT VOLTAGE IS 10X**

**The F-Series are designed such that the customer may order any output voltage from 100V to 2kV at no additional charge**



**F1 SERIES 1 WATT PROGRAMABLE REGULATED HV DC/DC CONVERTERS**



PIN #	FUNCTION
1	HV Output
2	Control/ Programming Voltage
3	Gnd
4	Reference Voltage
5	Case Gnd
6	+ Input
7	Output Voltage Monitor
8	HV Return

Dimensions are in Inches  
[Metric equivalents in brackets]



# F1 SERIES 1 WATT PROGRAMABLE REGULATED HV DC/DC CONVERTERS

## APPLICATION NOTES

### INRUSH CURRENT

The inrush current of the F1 Series has been kept as low as possible. However, a series resistor may be inserted in the input line to limit this current further.

### REVERSE INPUT PROTECTION

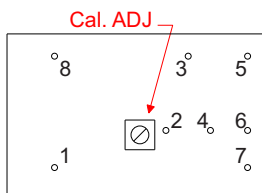
The F1 Series is equipped diode placed in series with the + Input (Pin 6) of the converter, this allows current to flow only if the correct polarity is applied.

### SHORT CIRCUIT PROTECTION

The F1 Series is equipped with short circuit protection. The converter will fold-back the input power whenever a short circuit is applied to its output and automatically recover after the overload condition is removed.

### CALIBRATION ADJUSTMENT

The F1 Series is equipped with an accessible potentiometer allowing for calibration after instillation.



Bottom View

### STARTUP TRANSIENT

Figure below shows a typical output voltage during turn-on, measured at no load current with no additional output filtering.

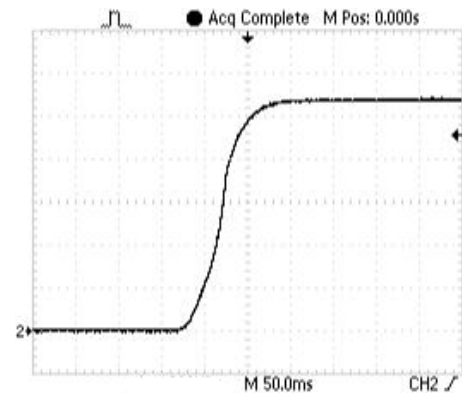
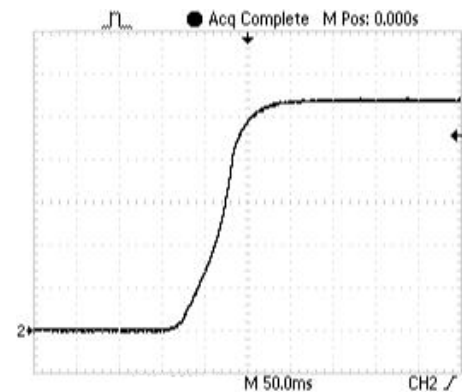


Figure below shows a typical output voltage during turn-on, measured at full rated load current with no additional output filtering.



**NOTE:**

Input power should be applied at least 100msec prior to sending a voltage programming command.



"The best high voltage design solution"

# F1 SERIES 1 WATT PROGRAMMABLE REGULATED HV DC/DC CONVERTERS

## APPLICATION NOTES

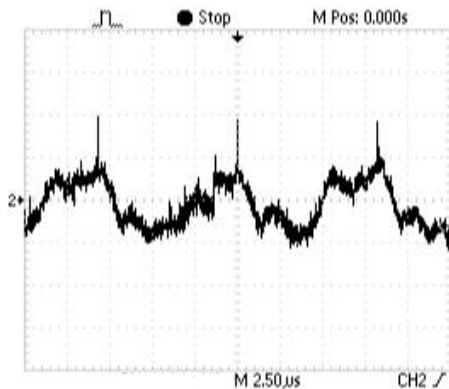
### OVER VOLTAGE PROGRAMMING

The F1 Series is equipped with an over voltage programming circuit designed to protect the output voltage from exceeding its maximum rating.

If the programming signal exceeds the reference voltage by more than 104% the converter will automatically shutdown and automatically recover when the programming signal returns to within normal operating range.

### RIPPLE AND NOISE

Figure below shows a typical output voltage ripple waveform, measured at full rated load current with no additional output filtering. External low ESR capacitors may be added across output to further reduce ripple.



### LOAD TRANSIENT

Figure below shows a typical output voltage response, measured during a transition from full rated load current to no load current with no additional output filtering.

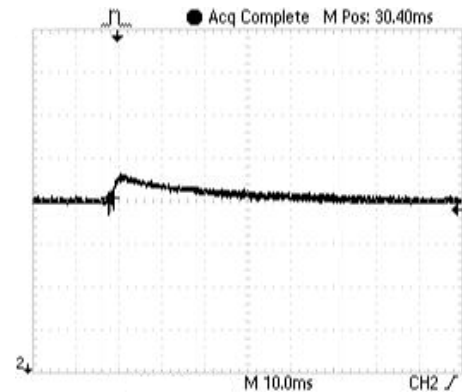
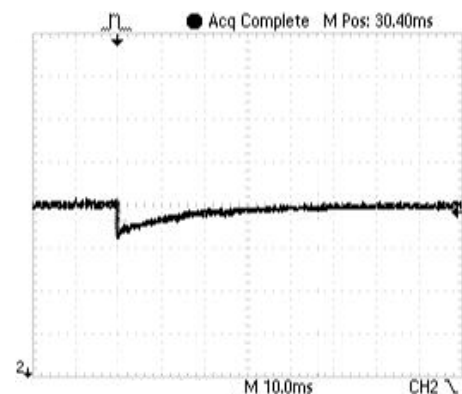


Figure below shows a typical output voltage response, measured during a transition from no load current to full rated load current with no additional output filtering.



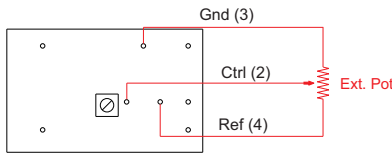


# F1 SERIES 1 WATT PROGRAMABLE REGULATED HV DC/DC CONVERTERS

## PRECISION ON-BOARD REFERENCE

The F1 is equipped with an on-board precision reference circuit (Pin 4) capable of supplying up to 1mA of current. The precision, on board reference can be used in conjunction with an external potentiometer or voltage divider to program the high voltage output.

The Figure below shows how to connect an external Trim Pot.



**NOTE:**

2.048Vdc Reference = 5k 20 Turn Trim Pot

5Vdc Reference = 10k 20 Turn Trim Pot

## OUTPUT VOLTAGE MONITOR

The F1 is equipped with an output voltage monitor circuit (Pin 7). The voltage monitor is internally buffered to provide a low impedance (up to 1 mA) signal to external circuitry.

**5V Input Models: 0 to +2.048Vdc = 0 to 100% VOUT**

**12V Input Models: 0 to 5Vdc = 0 to 100% VOUT**

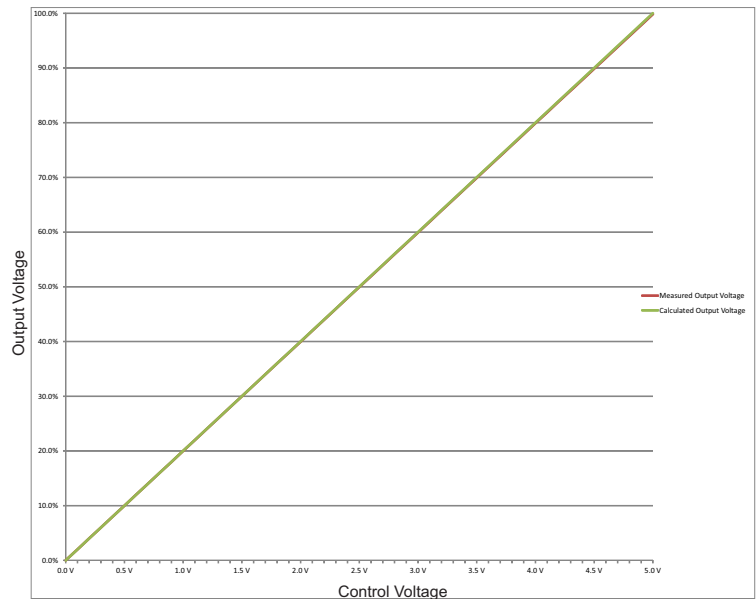
## PROGRAMMING VOLTAGE

A control signal from 0 to 100% will program the power supply for 0 to 100% rated output voltage. The input impedance for this control pin (Pin 2) is typically 100KΩ.

## OUTPUT VOLTAGE TRACKING

The output voltage tracks the Control pin (Pin 2) within 0.5% from 5% to 100% of output voltage.

Figure below show a typical plot of both the actual and calculated output voltage as a function of control voltage.



**Operating Conditions:**

Nominal Input Voltage = Fixed

Output Load = Resistive (fixed at full output current @ 100% output voltage)



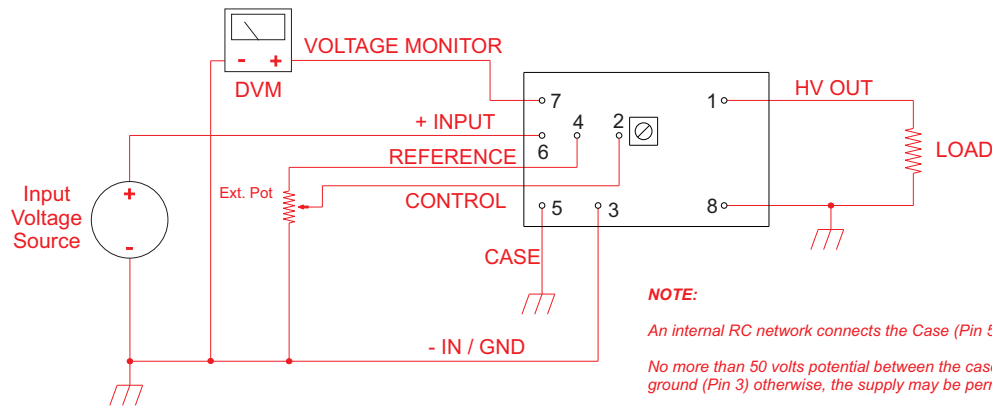
# F1 SERIES 1 WATT PROGRAMABLE REGULATED HV DC/DC CONVERTERS

## APPLICATION NOTES

### EXTERNAL / REMOTE POTENTIOMETER

The output voltage of the F1 Series can be controlled with an external or remote potentiometer .

Figures below shows the typical connections needed.

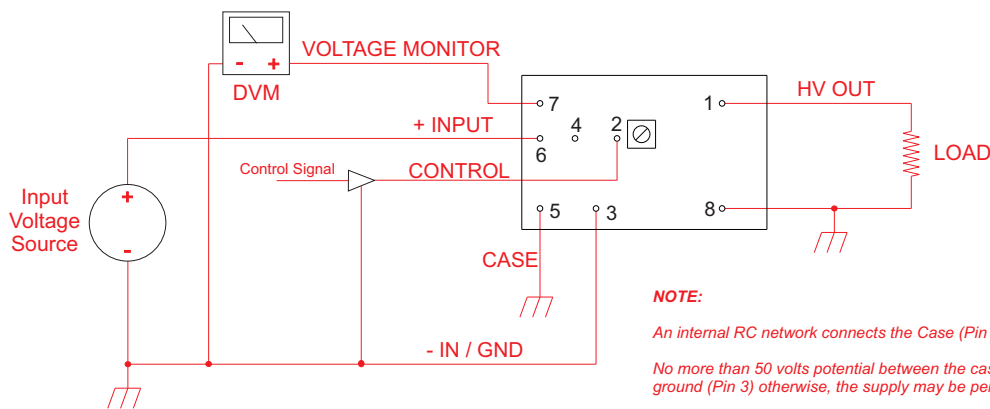


**NOTE:**  
An internal RC network connects the Case (Pin 5) to Gnd (Pin 3).  
No more than 50 volts potential between the case ground (Pin 5) and the circuit ground (Pin 3) otherwise, the supply may be permanently damaged .  
Case pin (Pin 5) should be connected to ground for optimum operation.  
Output voltage monitor polarity is positive regardless of output voltage polarity.

### EXTERNAL / REMOTE VOLTAGE SOURCE

The output voltage of the F1 Series can be controlled with an external or remote voltage source .

Figures below shows the typical connections needed.



**NOTE:**  
An internal RC network connects the Case (Pin 5) to Gnd (Pin 3).  
No more than 50 volts potential between the case ground (Pin 5) and the circuit ground (Pin 3) otherwise, the supply may be permanently damaged .  
Case pin (Pin 5) should be connected to ground for optimum operation.  
Output voltage monitor polarity is positive regardless of output voltage polarity.





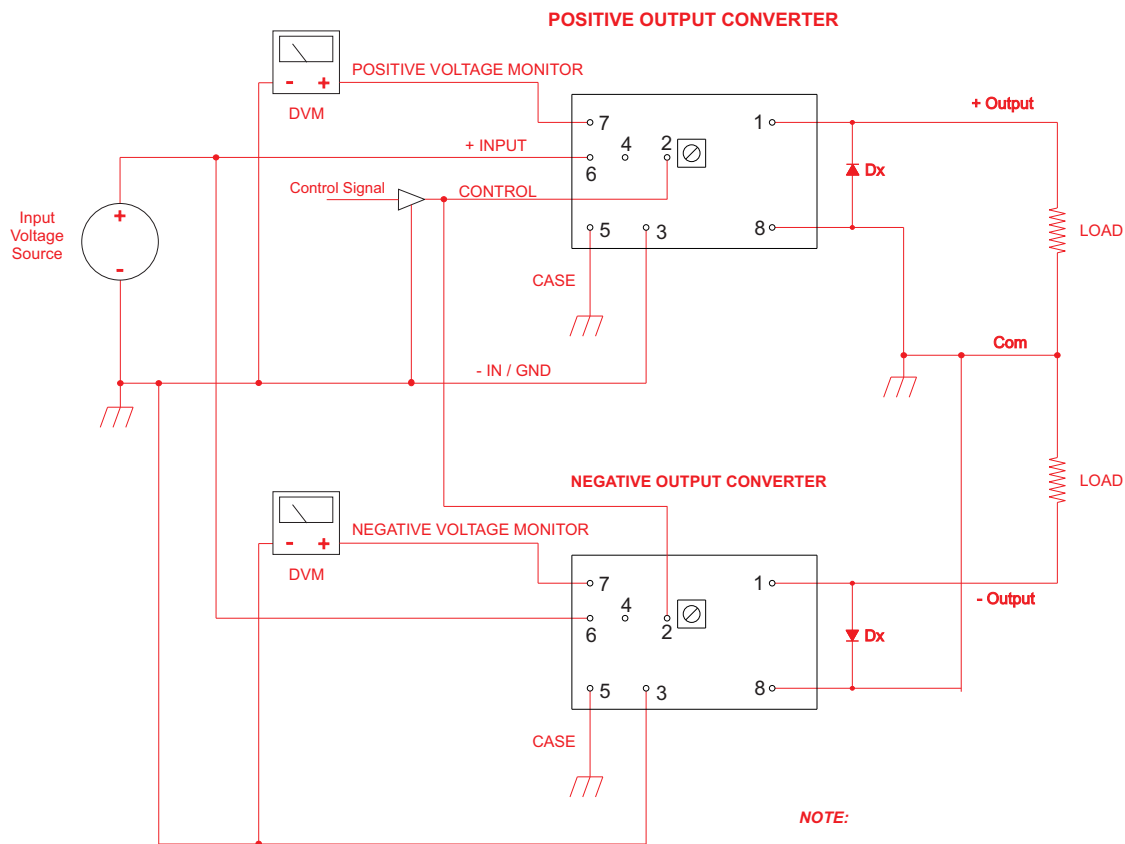
# F1 SERIES 1 WATT PROGRAMABLE REGULATED HV DC/DC CONVERTERS

## APPLICATION NOTES

### BIPOLAR CONNECTION

Multiple F1 Series converters can be configured to provide a programmable bipolar output.

Figures below shows the typical connections needed for connecting a positive output and negative output converter to create a bipolar output converter.



**WARNING:**  
Do not connect Pins 4 or 7 in parallel. otherwise, the supply may be permanently damaged.

**NOTE:**  
An internal RC network connects the Case (Pin 5) to Gnd (Pin 3).  
No more than 50 volts potential between the case ground (Pin 5) and the circuit ground (Pin 3) otherwise, the supply may be permanently damaged .  
Case pin (Pin 5) should be connected to ground for optimum operation.  
The ratings of Dx should be 1.5 times the maximum current and voltage expected in each branch.  
Output voltage monitor polarity is positive regardless of output voltage polarity.



"The best high voltage design solution"

# F1 SERIES 1 WATT PROGRAMABLE REGULATED HV DC/DC CONVERTERS

## APPLICATION NOTES

### CLEANING AGENTS

In order to avoid possible damage, any penetration of cleaning fluids must be prevented, since the power supplies are not hermetically sealed.

### NUCLEAR AND MEDICAL APPLICATIONS

American Power Design products are not designed, intended for use in, or authorized for use as critical components in life support systems, equipment used in hazardous environments, or nuclear control systems without the express written consent of American Power Design, Inc.

### TECHNICAL REVISIONS

The appearance of products, including safety agency certifications pictured on labels, may change depending on the date manufactured. Specifications are subject to change without notice.

### SAFETY REQUIREMENTS

The converters are designed to meet North American and International safety regulatory requirements per UL 60950-1/CSA 22.2 No. 60950-1-07 Second Edition, IEC 60950-1:2005, and EN 60950-1:2006. To comply with safety agencies requirements, an input line fuse must be used external to the converter. The table below provides the recommended fuse rating for use with this family of products.

Input Voltage Range	Fuse Rating
5Vdc	1A
12Vdc	0.5A

If one input fuse is used for a group of modules, the maximum fuse rating should not exceed 10A.

### WARRANTY

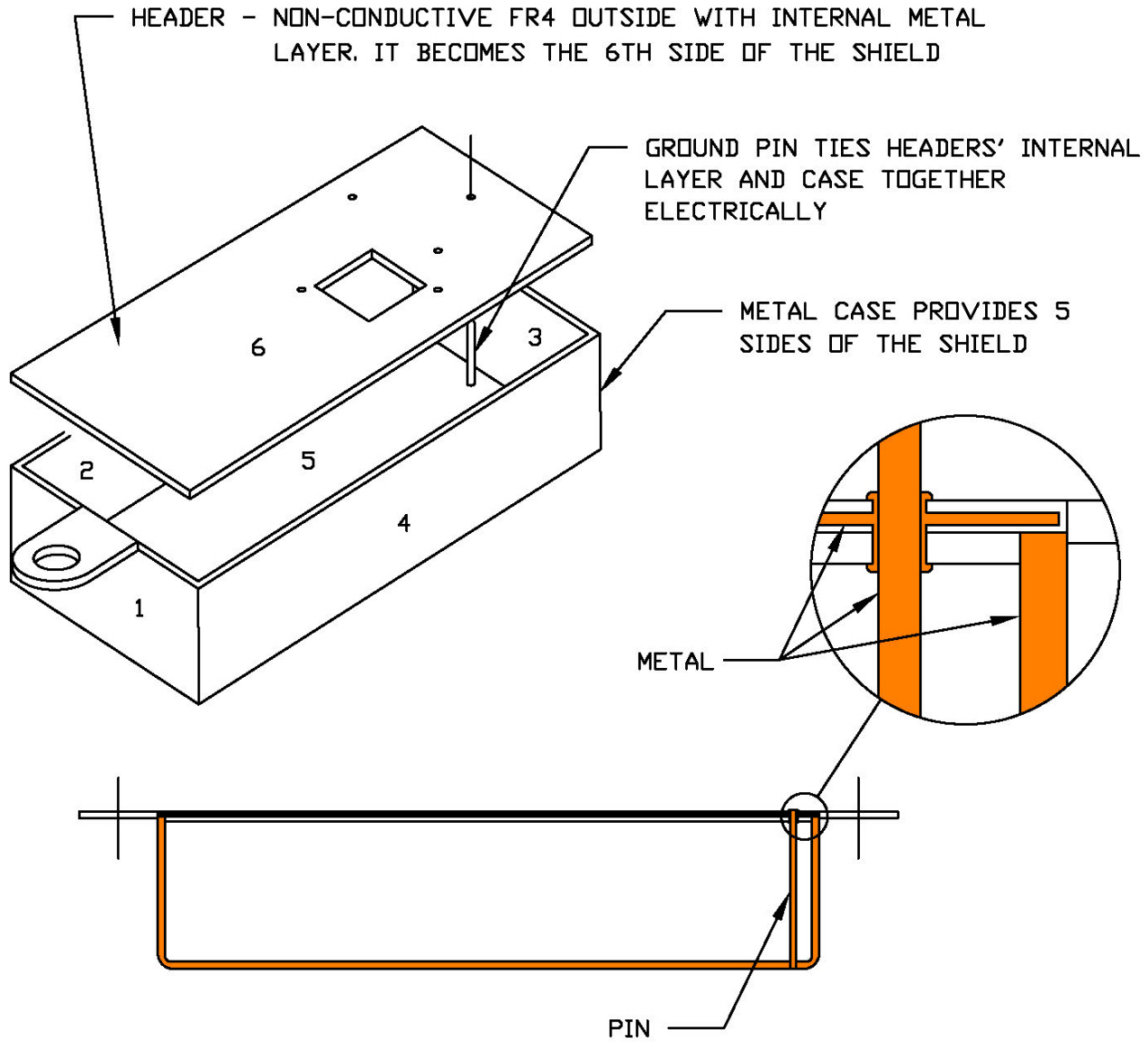
All products manufactured by American Power Design, Inc. (APD) are warranted to be free of defects due to material or workmanship for a period of one year from date of shipment. At our option, APD will repair or replace any non-conforming product.

APD expressly disclaims any liability for consequential or incidental damages resulting from the use or misuse of its products by the purchaser or others.

This warranty is in lieu of all warranties expressed or implied, including the warranties of merchantability. No other warranties, obligations, or liabilities are expressed or implied.

All products being returned for repair require a return material authorization(RMA) assigned by APD prior to return shipment.

REVISIONS			
LTR	DESCRIPTION	DATE	APPROVED
A	RELEASED	ON FILE	ON FILE



**High Voltage (HVPS) Condatas AG**

**CONCEPT, 6 SIDED SHIELD**

SIZE	CODE IDENT NO.	S-SLD-SHLDCPT
A		
SCALE:	REV.	A
	SHEET	1 OF 1



**American Power Design, Inc.**



## Declaration of Conformity

DIR 2014/35/EU, Low Voltage Directive

April 19, 2021

We hereby declare under our sole responsibility that the F1 Series Is in compliance with the following:

CAN/CSA C22.2 No 62368-1:2014  
UL62368-1:2014  
EN 62368-1:2014/A11:2017  
IEC 62368-1:2014

American Power Design power supplies are to be used exclusively in accordance with the published data sheets provided on our website.

**Randy Normandin**  
President  
American Power Design, Inc.



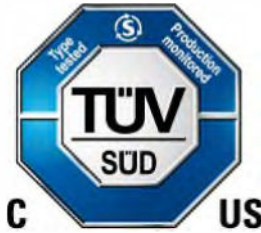
America

# CERTIFICATE

No. U8V 107546 0007 Rev. 00

**Holder of Certificate:** **American Power Design, Inc.**  
 3 Industrial Dr. Unit 8  
 Windham NH 03087  
 USA

**Certification Mark:**



**Product:** Audio/Video, Information and Communication technology equipment  
 HV DC-DC Converter

This product was voluntarily tested to the relevant safety requirements referenced on this certificate. It can be marked with the certification mark above. The mark must not be altered in any way. This product certification system operated by TÜV SÜD America Inc. most closely resembles system 3 as defined in ISO/IEC 17067. Certification is based on the TÜV SÜD "Testing and Certification Regulations". TÜV SÜD America Inc. is an OSHA recognized NRTL and a Standards Council of Canada accredited Certification body.

**Test report no.:** 72158968-000

**Date,** 2021-04-15



( Glenn H. McLaughlin )

# CERTIFICATE

No. U8V 107546 0007 Rev. 00

**Model(s):** F15 and F112 series

**Brand Name:** APD

**Tested according to:** CAN/CSA-C22.2 No. 62368-1:2014  
UL 62368-1:2014  
EN 62368-1:2014/A11:2017

**Parameters:** F15-P200/Y, F112-P200/Y

Rated Input Voltage: 5 VDC or 12 V DC  
Rated Input Current: 550mA max at 5 VDC  
220mA max at 12 VDC  
Rated Output Voltage: +/- 2000Vdc max  
Rated Output Power: 1 Watt max  
Degree of Protection: IPX0

## Additional Application Considerations

For Building-in (ES1 to be evaluated in End Use System)

Input Voltage: 5Vdc / 12Vdc

Inline Fuse recommendation: 5Vdc @1A, 12Vdc @ 0.5A

Temperature (Operating, Case) 60°C

To be mounted on minimum V-1 flame rated board (End User consideration)

# CERTIFICATE

No. U8V 107546 0007 Rev. 00

F Series				
1 WATT Maximum Power				
Dimensions 25.4mm x 44.45mm x 12.7mm @ 0.037 kg				
Input Voltage: 5Vdc / 12Vdc				
Output Voltages from 0V to +/- 2000VDC				
Specification Sheet				
5Vdc Models		Input Current	Output Specifications	
Non-RoHs	RoHs	Full Load mA	Voltage Vdc Max	Current mA Max
F15-P10	F15-P10/Y	420	+100	10
F15-N10	F15-N10/Y	420	-100	10
F15-P20	F15-P20/Y	420	+200	5
F15-N20	F15-N20/Y	420	-200	5
F15-P30	F15-P30/Y	420	+300	3.3
F15-N30	F15-N30/Y	420	-300	3.3
F15-P50	F15-P50/Y	420	+500	2
F15-N50	F15-N50/Y	420	-500	2
F15-P60	F15-P60/Y	420	+600	1.67
F15-N60	F15-N60/Y	420	-600	1.67
F15-P100	F15-P100/Y	420	+1000	1
F15-N100	F15-N100/Y	420	-1000	1
F15-P125	F15-P125/Y	420	+1250	0.8
F15-N125	F15-N125/Y	420	-1250	0.8
F15-P150	F15-P150/Y	550	+1500	0.67
F15-N150	F15-N150/Y	550	-1500	0.67
F15-P200	F15-P200/Y	550	+2000	0.5
F15-N200	F15-N200/Y	550	-2000	0.5
12Vdc Models		Input Current	Output Specifications	
Non-RoHs	RoHs	Full Load mA	Voltage Vdc Max	Current mA Max
F112-P10	F112-P10/Y	220	+100	10
F112-N10	F112-N10/Y	220	-100	10
F112-P20	F112-P20/Y	220	+200	5
F112-N20	F112-N20/Y	220	-200	5
F112-P30	F112-P30/Y	220	+300	3.3
F112-N30	F112-N30/Y	220	-300	3.3
F112-P50	F112-P50/Y	220	+500	2
F112-N50	F112-N50/Y	220	-500	2
F112-P60	F112-P60/Y	220	+600	1.67
F112-N60	F112-N60/Y	220	-600	1.67
F112-P100	F112-P100/Y	220	+1000	1
F112-N100	F112-N100/Y	220	-1000	1
F112-P125	F112-P125/Y	220	+1250	0.8
F112-N125	F112-N125/Y	220	-1250	0.8
F112-P150	F112-P150/Y	220	+1500	0.67
F112-N150	F112-N150/Y	220	-1500	0.67
F112-P200	F112-P200/Y	220	+2000	0.5
F112-N200	F112-N200/Y	220	-2000	0.5